

FIBERCORE OPTICAL TERMINATION BOX (OTB) 12 PORT OUTDOOR

■ Product Overview

The FiberCore OTB 12 Port Outdoor Optical Termination Box is a reliable solution for FTTx applications requiring secure fiber distribution in outdoor environments. Supporting up to 12 SC, LC, FC, or ST adapters, it integrates fiber splicing, termination, and optional PLC splitter installation within a weather-resistant ABS enclosure. With a wall-mounted or pole-mounted design and IP65-rated protection, it ensures dependable performance and durability, making it ideal for Fiber-to-the-Home (FTTH), CATV, telecommunication, and data communication network deployments.

■ Features

- Capacity: Up to 12 fiber terminations using SC adapters
- Supports SC, LC, FC, ST adapters (SC simplex / LC duplex)
- Made of high-strength UV-resistant ABS plastic, outdoor rainfall-resistant
- Optimized fiber management with bend radius protection
- 2 cable entry ports with M20 cable glands (max Ø12 mm)
- 12 drop cable exit ports for FTTH applications
- Flexible installation: wall-mount and pole-mount options

■ Applications

- FTTH (Fiber to the Home) access network
- FTTB (Fiber to the Building) distribution
- Telecommunication networks
- CATV (Cable TV) networks
- Data communication networks



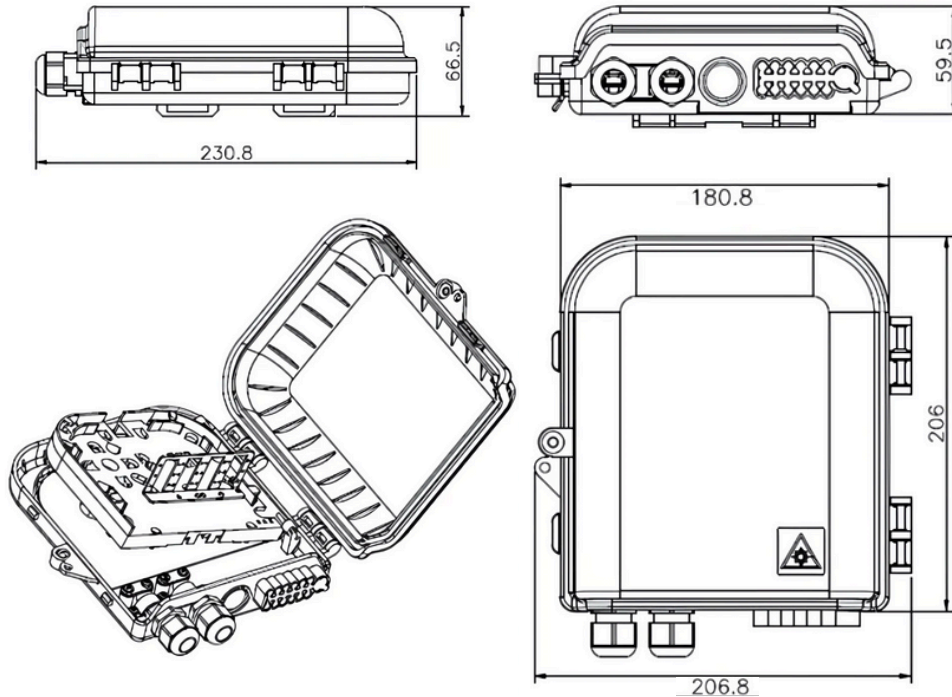
Want to know more about FiberCore?

For more information visit www.fibercore-plus.com or contact sales@fibercore-plus.com

V1.0 - 09012025

FIBERCORE OPTICAL TERMINATION BOX (OTB) 12 PORT OUTDOOR

■ Technical Sketch



■ Technical Specifications

- Model: FC-45-OTB-012
- Capacity: Max. 12 fibers
- Adapter Capacity: Max. 12 SC simplex / 12 FC simplex / 6 LC duplex
- Material: ABS plastic, UV-resistant, outdoor-grade
- Color: Light Grey
- Dimensions: 207 × 231 × 67 mm (W × H × D)
- Cable Entry Ports: 2 pcs (M20 glands, max Ø12 mm)
- Drop Cable Ports: 12 pcs (2–3 mm FTTH drop cables)
- Ingress Protection: IP65 (dustproof and rainfall resistant)
- Installation: Wall-mount / Pole-mount
- Operating Temperature: -40°C ~ +85°C
- Relative Humidity: ≤ 95% (non-condensing)

■ Accessories

- Integrated splice tray
- Adapter panel (12 ports)
- Cable entry glands (2 pcs)
- Cable fixing clamps / holders
- Dust caps for adapters
- Installation kit (screws, wall plugs, cable ties)



Want to know more about FiberCore?

For more information visit www.fibercore-plus.com or contact sales@fibercore-plus.com

V1.0 - 09012025

FIBERCORE OPTICAL TERMINATION BOX (OTB) 12 PORT OUTDOOR

■ Technical Characteristics

- Enclosure made of high-strength ABS plastic with UV resistance
- Snap-fit or screw-type cover for easy maintenance
- Internal arrangement allows neat fiber management and bending radius protection
- Lockable design for enhanced security

■ Fiber Management

- Supports up to 12 fibers per splice tray
- Fiber routing guides to maintain minimum bend radius
- Easy access to adapters and splice points for maintenance

■ Ordering Information

Description	Part No.
OTB 12 Port Outdoor - 207mm x 231mm x 67mm	FC-45-OTB-O12



Want to know more about FiberCore?

For more information visit www.fibercore-plus.com or contact sales@fibercore-plus.com

V1.0 - 09012025