



FIBERCORE NAP OPTICAL TERMINATION BOX - TYPE B

Product Overview

The FiberCore OTB NAP Box - B is a durable outdoor optical termination solution for FTTH networks, supporting up to 16 fibers with flexible splitter options (2×1:8 or 1×1:16). Built from ABS plastic with 2 cable entry ports and 16 drop cable ports, it ensures secure fiber distribution and easy installation on walls or poles. Its weather-resistant design delivers reliable performance for FTTH, CATV, telecom, and data communication applications.

Features

- Compact and lightweight design, easy to install.
- Made of high-strength ABS plastic, UV-resistant and durable for outdoor use.
- Supports up to 16 fiber terminations with 2×1×8 or 1×1×16 splitter cassette.
- Equipped with 2 cable entry ports (M20 cable glands) and 16 drop cable ports.
- Reliable sealing and protection against dust, rain, and environmental conditions.
- Suitable for wall-mount and pole-mount applications.
- Easy maintenance with re-openable cover design.

Applications

- Fiber-to-the-Home (FTTH) networks.
- Fiber-to-the-Building (FTTB) deployments.
- Outdoor distribution and termination points in access networks.
- Ideal for network access point (NAP) functions—splicing feeder cables with distribution cables.

Accessories

- Cable Glands
- Allen Wrench
- Protection Sleeve
- Installation Kit (tox and screws)



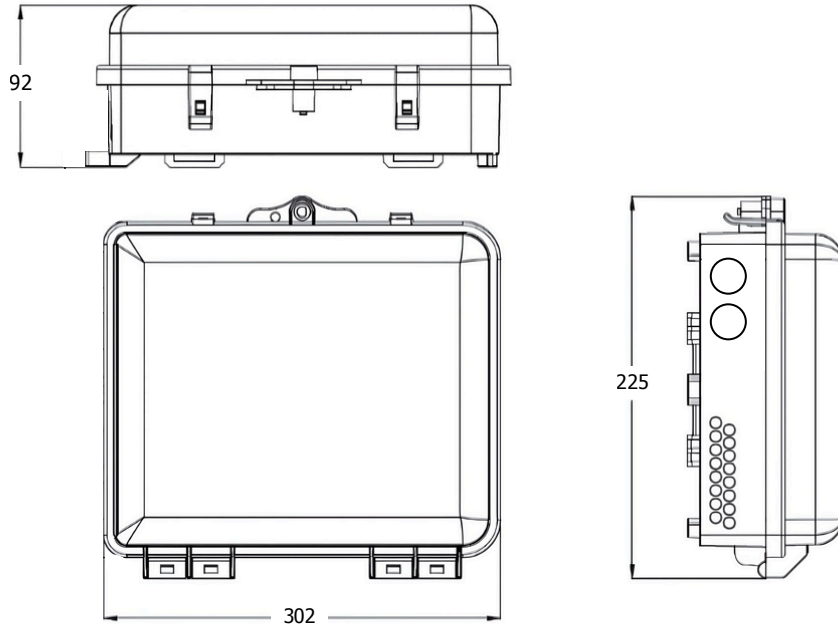
Want to know more about FiberCore?

For more information visit www.fibercore-plus.com or contact sales@fibercore-plus.com

V1.0 - 09012025

FIBERCORE NAP OPTICAL TERMINATION BOX - TYPE B

Technical Sketch



Technical Specifications

- Model: FC-48-OTBNAP-B
- Dimensions: 225 × 302 × 92 mm
- Material: ABS plastic, white color
- Capacity: Up to 16 fibers
- Splitter Cassette: 2 pcs 1×8 or 1 pc 1×16
- Cable Entry Ports: 2 pcs with M20 cable glands
- Drop Cable Ports: 16 pcs (2×3mm FTTH)
- Installation: Outdoor wall-mounted or pole-mounted
- Protection: Weather-resistant ABS enclosure for outdoor applications
- Color: White

Fiber Management

- Integrated splice tray for secure and organized splicing
- Supports direct termination and splitter installation
- Clear separation of incoming feeder and outgoing drop cables
- Bend radius protection to minimize signal loss
- Cable clamps and tie points to prevent fiber stress or accidental damage
- Easy access for maintenance, testing, and future network expansion

Ordering Information

Description	Part No.
NAP Optical Termination Box (302 x 225x 92 mm)	FC-48-OTBNAP-B



Want to know more about FiberCore?

For more information visit www.fibercore-plus.com or contact sales@fibercore-plus.com

V1.0 - 09012025