

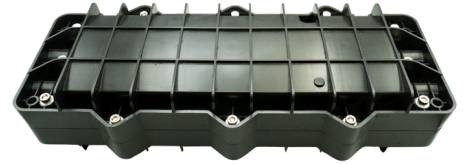
48 PORT



120 PORT A



120 PORT B



FIBERCORE INLINE/ HORIZONTAL SPLICE CLOSURE

Models: FC-47-ISC-48 | FC-47-ISC-120A | FC-47-ISC-120B

Series Overview

FiberCore Inline/Horizontal Splice Closures are designed for outdoor fiber optic splicing, offering IP-rated protection and flexible installation in aerial, duct, or wall-mounted environments. Available in 48 and 120 fiber core capacities, these closures provide reliable mechanical or heat-seal protection with re-entry capability for maintenance or expansion.

Features

- Made of high-strength ABS plastic, lightweight and durable.
- Compact and economical design for outdoor applications.
- Equipped with a rubber gasket for reliable sealing and re-entry support.
- Provides protection for fiber splicing and cable connections.
- Supports aerial and wall-mount installations.
- Weatherproof, resistant to rain, dust, and environmental conditions.

Applications

- Backbone and trunk line splicing
- FTTH and access networks
- Aerial, wall-mounted, or underground installation
- Cable repair and branching points

Accessories

- Fiber optic splice tray(s)
- Heat-shrink protection sleeves / fusion splice protectors
- Cable fixing clamps and holders
- Sealing rubber gaskets
- Installation kit (screws, mini cable ties, Allen wrench)



Want to know more about FiberCore?

For more information visit www.fibercore-plus.com or contact sales@fibercore-plus.com

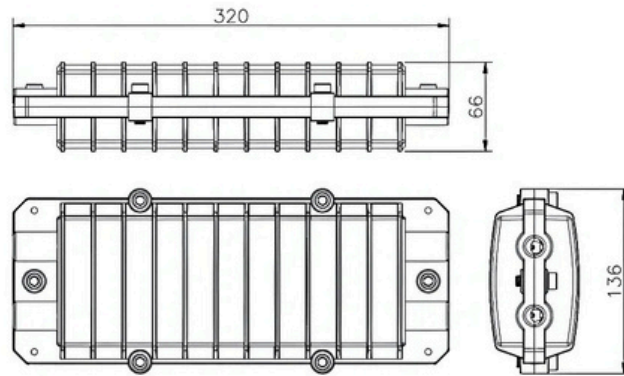
V1.0 - 09012025

FIBERCORE INLINE/ HORIZONTAL SPLICE CLOSURE

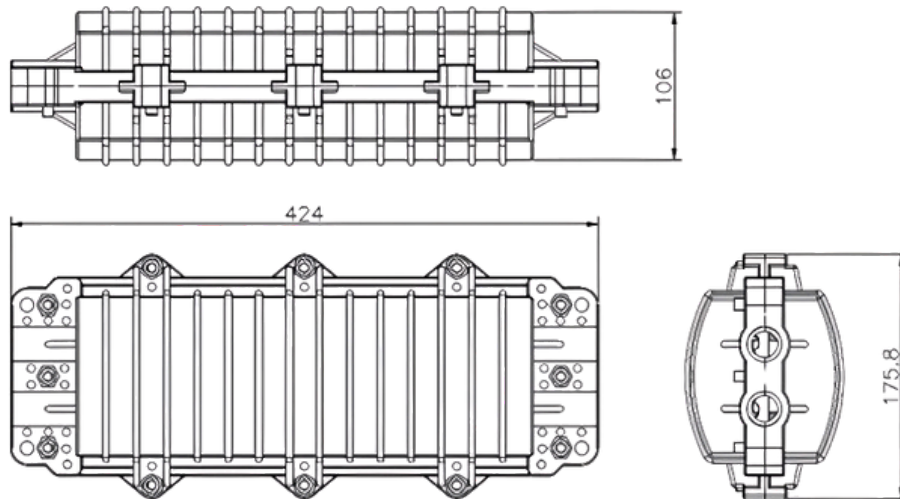
Models: FC-46-DSC-48 | FC-46-DSC-120 | FC-46-DSC-144

Technical Sketch

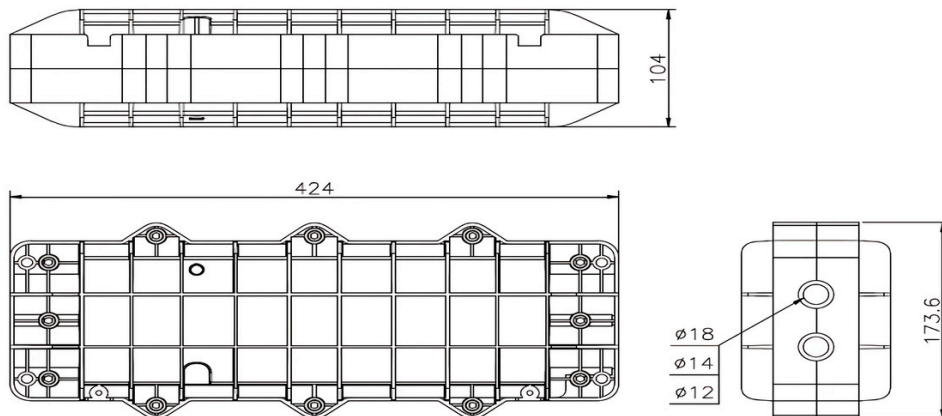
48 Port



120 A Port



120 B Port



Want to know more about FiberCore?

For more information visit www.fibercore-plus.com or contact sales@fibercore-plus.com

V1.0 - 09012025

FIBERCORE INLINE/ HORIZONTAL SPLICE CLOSURE

Models: FC-46-DSC-48 | FC-46-DSC-120 | FC-46-DSC-144

Technical Specifications

Specifications	48 PORT	120 A PORT	120 B PORT
Dimensions	320 × 136 × 66 mm	424 x 176 x 106 mm	424 × 174 × 104 mm
Weight	0.7 kg	2.2 kg	2.2 kg
Cable Diameter	Ø7-Ø12.6	Ø7-Ø18	Ø7-Ø18
Cable Entry	2 in, 2 out	2 in, 2 out	2 in, 2 out
Splice Try Quantity	2 pcs	5 pcs	5 pcs
Max Fiber Capacity	48 fibers	120 fibers	120 fibers
Sealing Structure	Sealing Rubber Gasket	Mechanical Sealing	Silicone Sealing Gasket

Ordering Information

Description	Part No.
Inline/Horizontal Splice Closure 48 port	FC-47-ISC-48
Inline/Horizontal Splice Closure 120 B port	FC-47-ISC-120A
Inline/Horizontal Splice Closure 120 B port	FC-47-ISC-120B



Want to know more about FiberCore?

For more information visit www.fibercore-plus.com or contact sales@fibercore-plus.com

V1.0 - 09012025